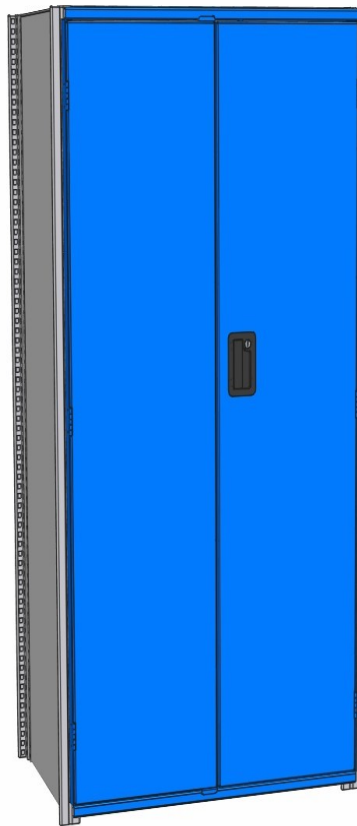




B R O M E

ASSEMBLY INSTRUCTIONS

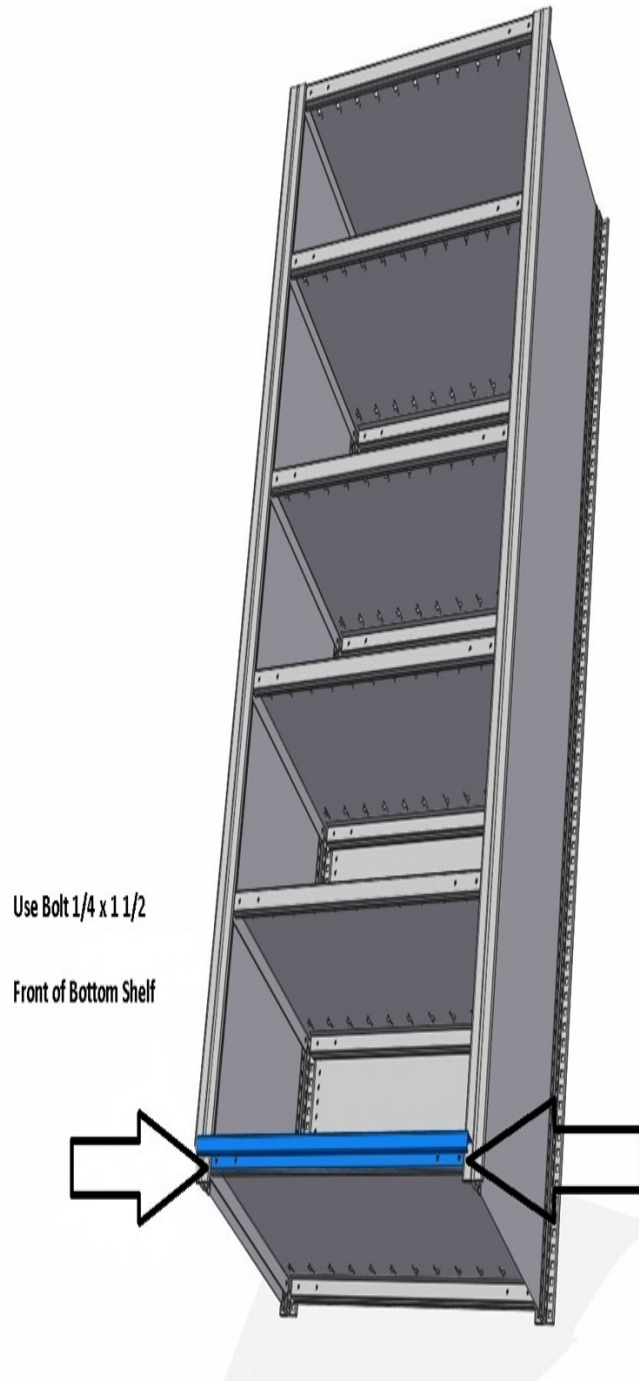
Version 1.5



DOOR FOR SHELVING



B R O M E

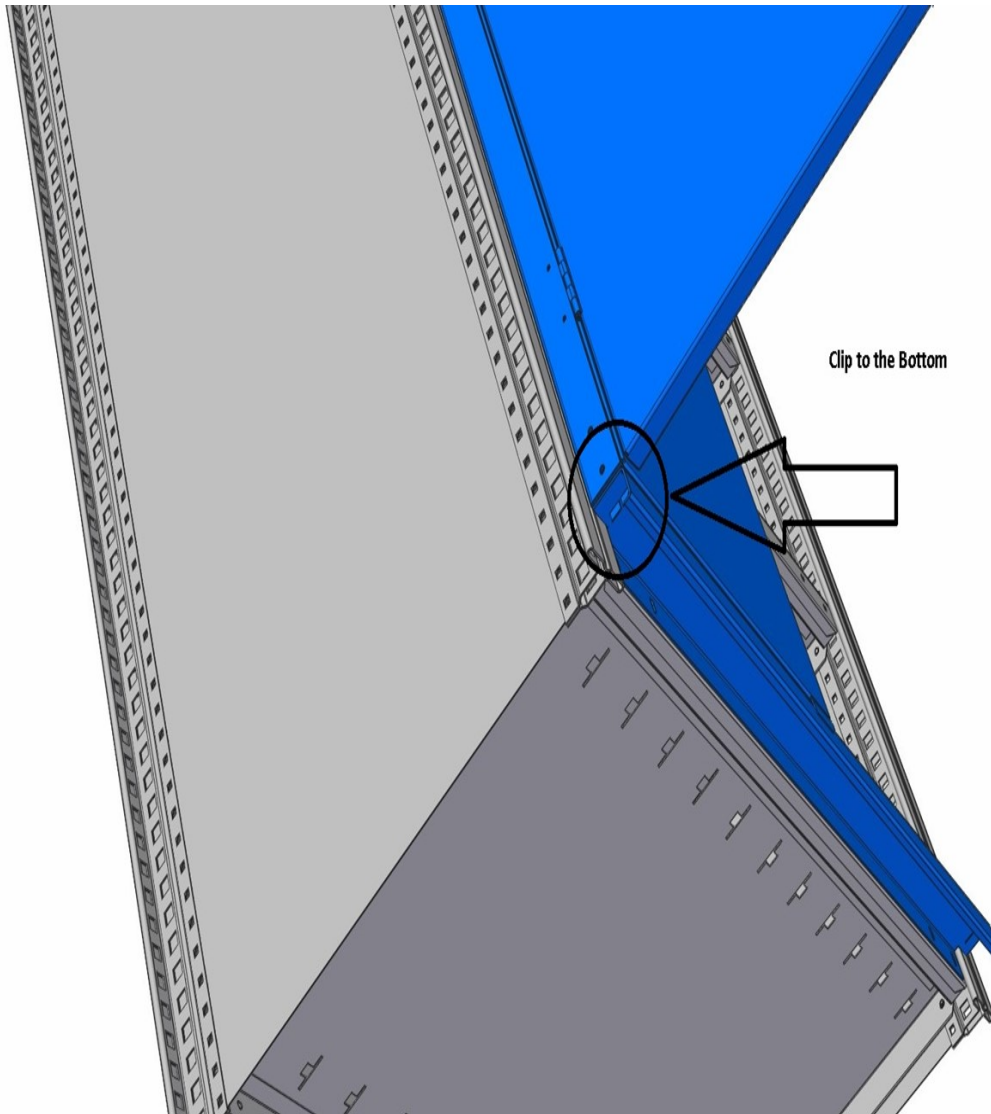


Use Bolt 1/4 x 1 1/2

Front of Bottom Shelf

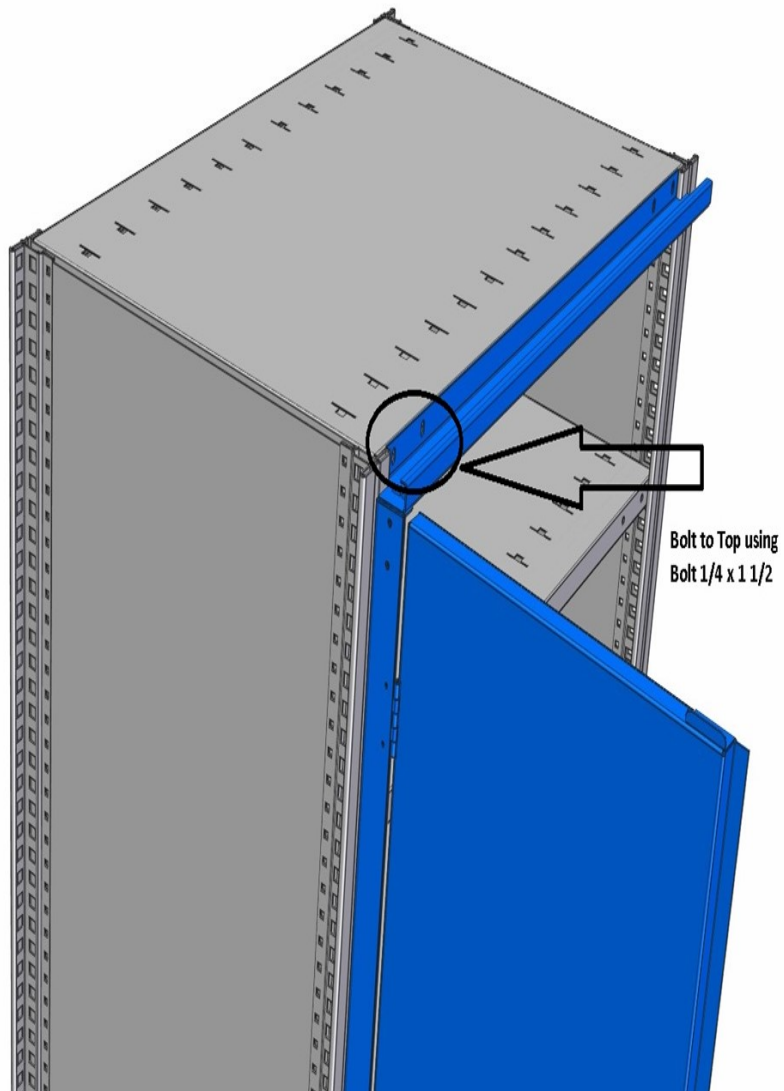


B R O M E





B R O M E

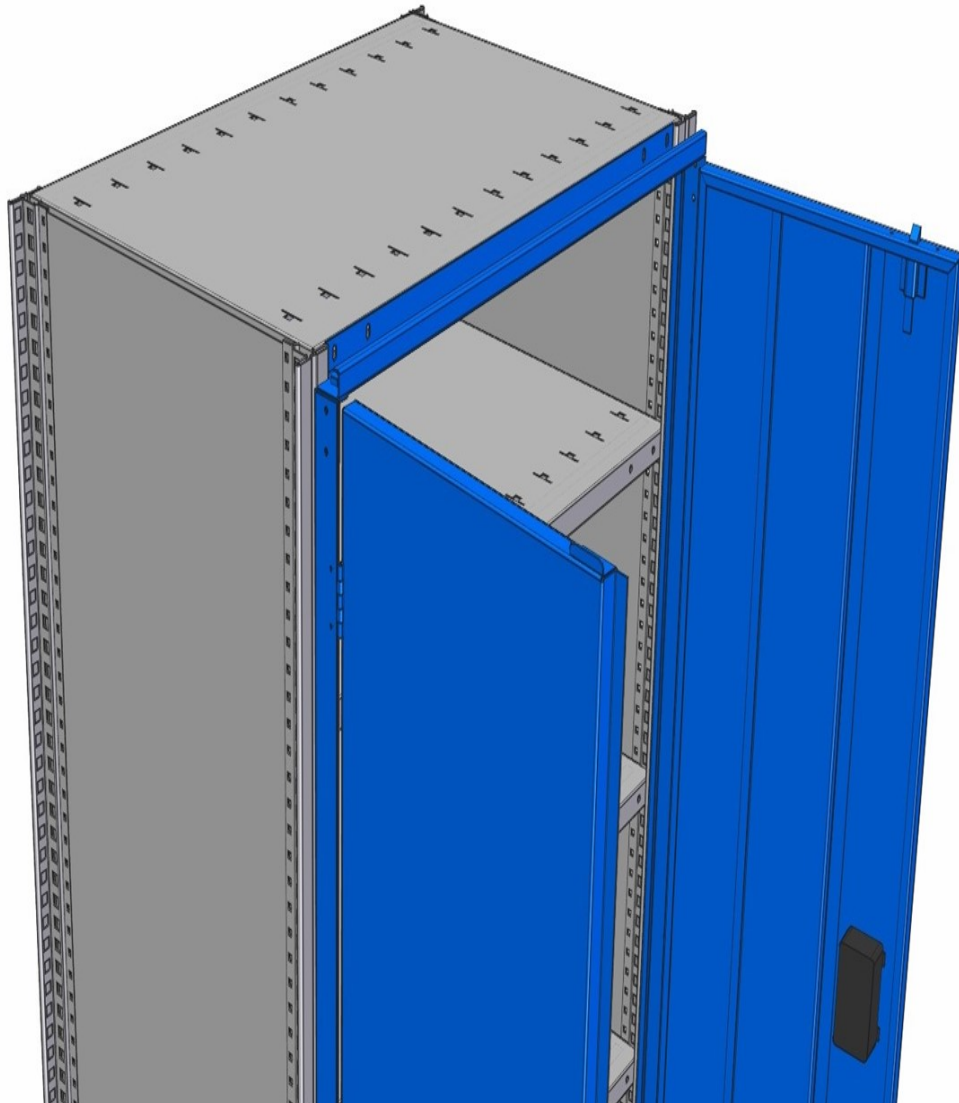


Bolt to Top using
Bolt 1/4 x 1 1/2



B R O M E

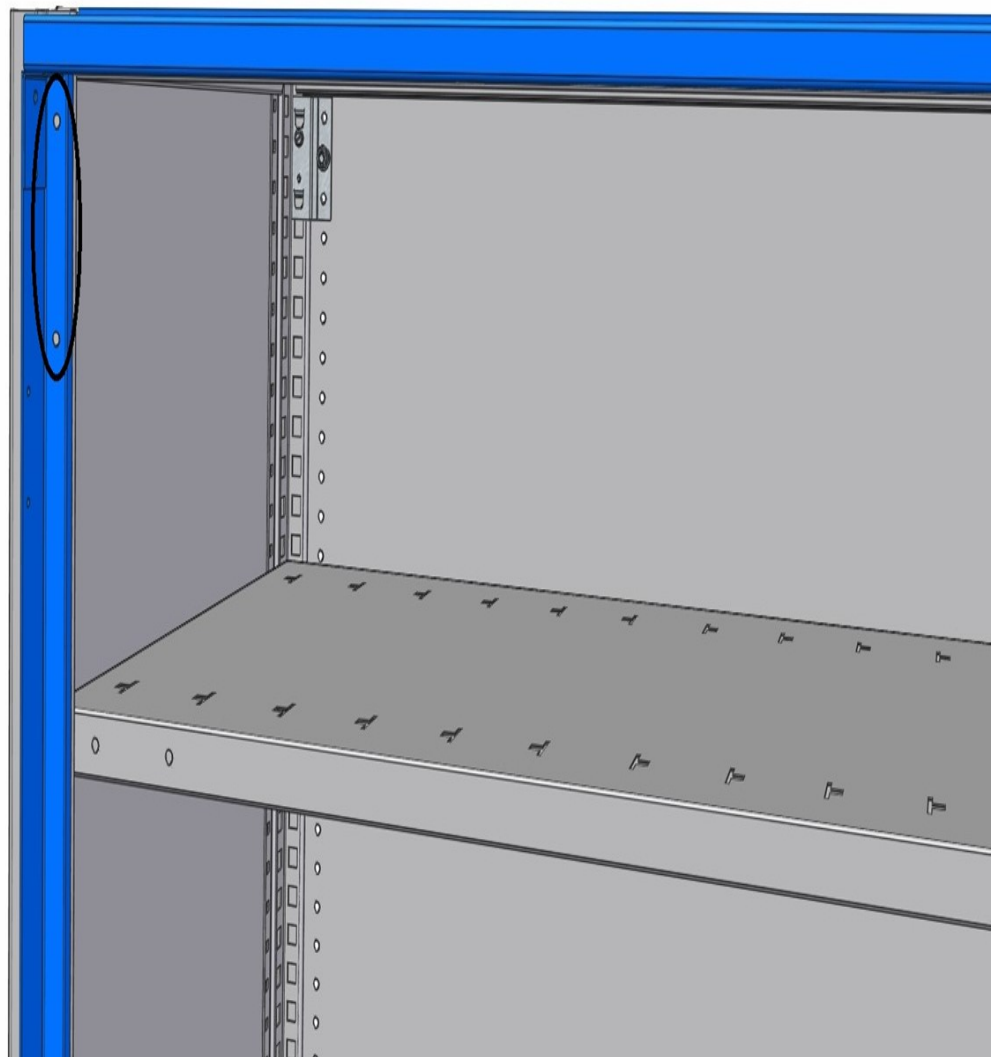
Repeat process with
opposite door ; if such
is required .





B R O M E

When installation
finished and adjusted;
you may use self
tapping screws to bolt
to posts.



AGF

B R O M E

